

DEVELON

Mini Excavators

DX10Z



Maximum power 9.9 hp
Operating weight 1.2 t



LIFT MORE, LIFT HIGHER

The superior dumping height makes loading trucks easy, while the reach at ground level means you don't need to reposition as often when digging. With enhanced stability and lifting capacity, combined with best-in-class proportional auxiliary flow, the DX10Z offers you the highest versatility in operating a wide range of attachments.

EASY TO WORK IN CONFINED WORK ENVIRONMENT

ADAPTABLE & SMOOTH

The DX10Z open center hydraulic system with variable displacement pumps uses the engine's power more effectively, maximising pump output and offering more comfort, smoothness and accuracy.

- Fast cycle times, together with class-leading breakout forces, ensure maximum productivity
- Boom and arm cylinder cushioning increases overall smoothness
- Retractable undercarriage lets you enter buildings through the doors
- Variety of attachments provide maximum versatility



710 MM MINIMUM WIDTH

Thanks to the DX10Z's compact design, it can pass through most European size doors

- The front blade and the undercarriage are retractable to achieve this reduced width, and it provides top-class stability in normal operation.
- Without any tools, the TOPS can be folded down quickly and is integrated into the frame to minimize the overall width of the machine.

FOLDABLE TOPS

The exclusive design of TOPS allows operator to fold down the TOPS in just a few seconds.

- Two pins lock the TOPS in place while operating the machine but allow for quick, efficient removal and installation when passing through narrow space.
- The exclusive feature is the integration of the TOPS into the upper structure which reduces the overall width of the machine and eliminates any bulges on the sides.



TRANSPORTABILITY

The DX10Z fits easily on a conventional trailer. Easier transportability with new integrated upper structure tie-down points.

MAXIMUM STABILITY AND VERSATILITY

ERGONOMICS LOWER EFFORT AND RAISE EFFICIENCY

Proportional auxiliary flow means that the excavator's power is matched by smooth, confident manoeuvres.

Using sensitive joysticks and clear controls positioned for convenient access, you are able to work safely and confidently with minimum effort. Even the switches have been ergonomically placed and positioned according to the frequency with which they are used. The highest standards of efficiency are at your fingertips.



MAXIMUM STABILITY

Extendable to 1100 mm undercarriage width to ensure maximum stability.

BLADE EXTENSION FOR BETTER PERFORMANCE

The sliding-blade-extension eliminates loose parts that require storage space and are easily lost. Simply slide them to the inner position to reduce the overall width.

BOX STRUCTURE DESIGN

The box structure design provides strength while minimizing the overall weight of the working group.

THE COOLING SYSTEM DELIVERS BEST-IN-CLASS PERFORMANCE

This is critical when working in confined areas where air flow may be minimal. When the machine is frequently used with a hydraulic breaker, the "demolition kit" will provide extra cooling so the breaker can be used 100% of the time even in warm environments. This is unique in the market and makes this model ideal for in-door demolition application.

THE COMFORT OF A LARGE EXCAVATOR

OPERATING IN COMFORT

The sophisticated ISO-certified TOPS cab – together with excellent visibility and stability – provides optimal operator comfort and safety. Comfortably seated, you have easy access to several storage compartments and a clear all-round view of the worksite. Noise and vibration levels are minimised.

ERGONOMIC JOYSTICKS

The DX10Z has joysticks like large excavators, not levers. They help you work in greater comfort and more precise detail.

ERGONOMIC OPERATOR ENVIRONMENT

Spacious cab with ample leg room, robust ergonomic pedals, large & flat floor, cup holder, storage box, etc.

CAB FLOOR PANELS

Easy tool-free removable cab floor panels for convenient service.



ZERO TAIL SWING

For more peace of mind and safety while working close to an obstacle.



MORE DURABILITY – LESS MAINTENANCE

The reinforced chassis provides strength, while the optimised boom shape ensures uniform load distribution for greater durability. Top quality materials, the most advanced computer-aided design, and endurance testing under the most demanding conditions ensure your excavator keeps on performing. The DX10Z is designed for low maintenance with longer intervals – resulting in more machine availability on-site. Meanwhile, skilled Develon-trained technicians are available to provide extra support when needed.

MORE DURABLE AND EASY MAINTENANCE

CYLINDER OVER BOOM AND INTERNAL HOSE ROUTING

The workgroup of this excavator features a cylinder over boom design eliminating the possibility of damaging the cylinder. The hoses for the auxiliary hydraulics are routed inside the boom to prevent any damage when working. These two features help to increase the durability.

EASY ACCESS FOR MAINTENANCE

Right from the start, we paid particular attention to easy service access: these units have a single access point for the daily maintenance of all the main components, for checking the fuel gauge and refueling through the lockable cap.



LOCKABLE CAP

Unique & safe access point for all maintenance checks.



TECHNICAL SPECIFICATIONS

ENGINE

Model

Kubota / D722-EF15 (EU Stage V)

No. of cylinders

3

Piston displacement

0.72 l

Max. net power at 2000 rpm

ISO 9249 7.4 kW (9.9 hp)

Max. net torque at 1600 rpm

ISO 9249 4.0 kgf/m (39.1 Nm)

Bore × stroke

67 mm × 68 mm

HYDRAULIC SYSTEM

Pump type

Dual gear pump

Pump capacity

10.0 l/min

Auxiliary flow

20.0 l/min

Auxiliary relief

184.0 - 192.0 bar

Relief pressure for implement circuit

184.0 - 192.0 bar

PERFORMANCE

Bucket digging force (ISO 6015)

8294 N

Arm digging force (ISO 6015)

5550 N

Drawbar pull

9905 N

Travel speed fast / slow

3.1 / 2.1 km/h

Gradeability

30°

WEIGHTS

Operating weight with standard bucket, excluding operator

1176 kg

Ground pressure with rubber tracks

29.70 kPa

SWING MECHANISM

Swing speed

9.0 rpm

Boom swing angle L/R

70° / 70°

ENVIRONMENTAL

A-weighted emission sound pressure level at the operator's position

LpAd (2000/14/EC) 80 dB(A)

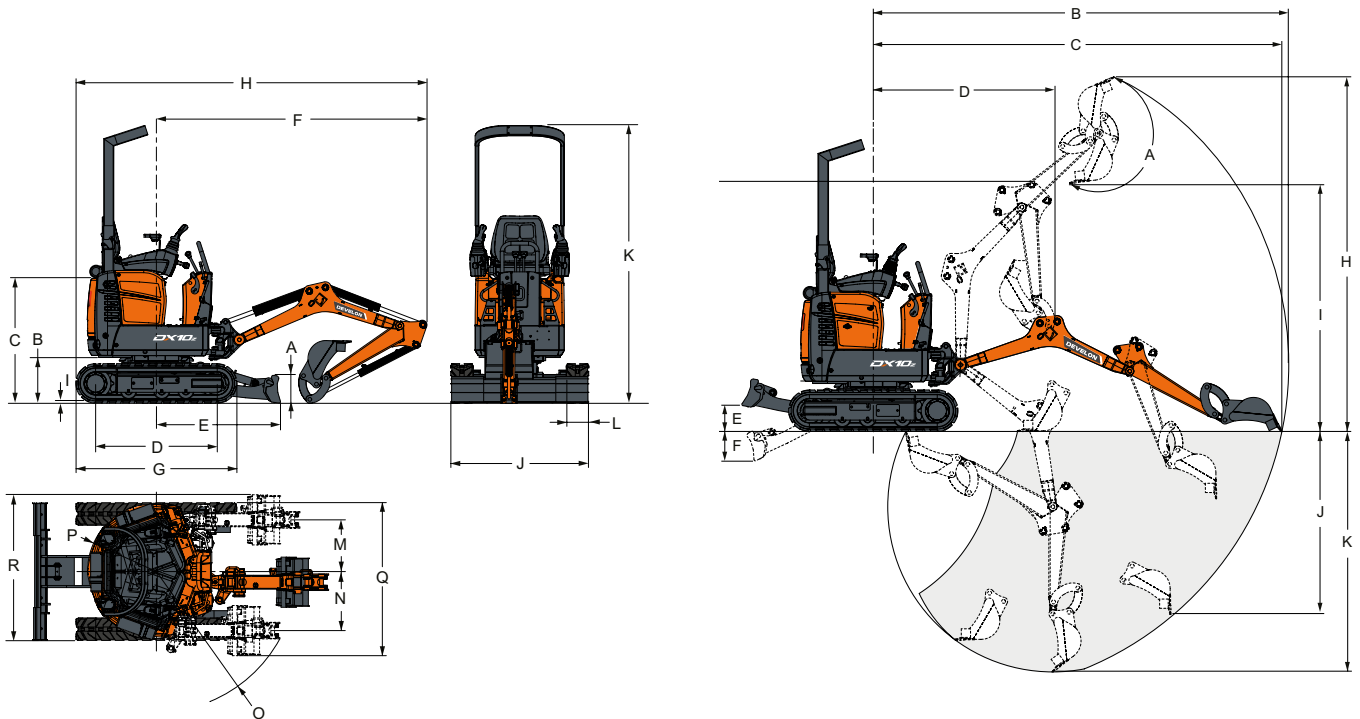
A-weighted sound power level

LwAd (2000/14/EC) 93 dB(A)

FLUID CAPACITIES

Fuel tank	16 l
Hydraulic system	10.1 l
Cooling system	3.0 l
Engine oil plus oil filter	3.5 l

DIMENSIONS AND WORKING RANGE



DIMENSIONS

A	Blade height	220 mm
B	Ground clearance	363 mm
C	Engine cover height	992 mm
D	Length of track on ground	968 mm
E	Machine centre line to blade	987 mm
F	Min. radius in travel position	2153 mm
G	Overall track length	1280 mm
H	Shipping length	2793 mm
I	Track lug height	16 mm
J	Blade width (retracted)	1100 (710) mm
K	Overall height	2209 mm
L	Track width	180 mm
M	LH boom offset	413 mm
N	RH boom offset	471 mm
O	Min. turning radius	1121 mm
P	Swing clearance, rear	550 mm
Q	Working width at max. RH rotation	1100 mm
R	Working width at max. LH rotation	1100 mm

WORKING RANGE

A	Bucket pivot angle	196°
B	Max. reach	3145 mm
C	Max. reach at ground level	3093 mm
D	Min. swing radius	1374 mm
E	Max. blade height	196 mm
F	Max. blade depth	230 mm
G	Max. height at min. swing radius	1899 mm
H	Max. digging height	2685 mm
I	Max. dump height	1818 mm
J	Max. vertical wall depth	1383 mm
K	Max. digging depth	1820 mm

LIFTING CAPACITIES

LIFTING CAPACITIES • OVER BLADE • BLADE DOWN

Lift point height (mm)	Maximum radius (mm)	Lift at max. radius (kg)	Lift at 2000 mm radius (kg)
2000	2030	319*	319*
1000	2620	275*	345*
Ground	2640	239*	404*
-1000	2030	210*	214**

LIFTING CAPACITIES • OVER BLADE • BLADE UP

Lift point height (mm)	Maximum radius (mm)	Lift at max. radius (kg)	Lift at 2000 mm radius (kg)
2000	2030	192	206
1000	2620	121	197
Ground	2640	116	174
-1000	2045	171	171

LIFTING CAPACITIES • OVER SIDE • BLADE UP

Lift point height (mm)	Maximum radius (mm)	Lift at max. radius (kg)	Lift at 2000 mm radius (kg)
2000	2030	90	94
1000	2620	54	92
Ground	2640	48	78
-1000	2045	73	75

- Lifting capacities are in compliance with ISO 10567:2007(E).
- The load point is at the end of the arm.
- * Rated hydraulic lift capacity.
- The nominal loads shown do not exceed 75% of tipping loads or 87% of hydraulic lifting capacity.
- For lifting capacity with bucket, simply subtract the actual weight of the bucket from the values.
- The configurations indicated do not necessarily reflect the standard equipment of the machine.

STANDARD AND OPTIONAL EQUIPMENT

● Standard ○ Optional

- TOPS canopy (Tip Over Protective Structure (TOPS) – Meets requirements of ISO 12117
- Extendable undercarriage
- Track expansion switch
- Hydraulically activated track expansion from 710 to 1100 mm
- Two-speed travel
- 710 mm dozer blade with two blade extensions (1100 mm extended)
- 1st auxiliary line (double acting) on arm
- Hydraulic joystick control
- Control console locks
- Retractable seat belt
- 180 mm rubber track
- Boom light metal protection
- Demolition Kit consists of an hydraulic oil cooler for breaker application
- Object Handling Device consists of a lifting device on the bucket linkage
- Buckets set (= 1 manual quick coupler QC30 + 3 digging buckets 150 mm / 230 mm / 300 mm + 1 grading bucket 800 mm)
- Develon Hydraulic Breaker HB01H

OPTIONAL ATTACHMENTS

NEED A BREAK?



Available on 1 to 10 tons Excavators

OPTIMIZED PERFORMANCE

HB series are optimized for Develon Excavators, fully certified by Develon engineering.

PERFORMANCE

Develon HB breakers offer powerful performance and top notch productivity, whether you are demolishing concrete or breaking rocks.

WARRANTY

Avoid compatibility and warranty coverage arguments from using non-approved breaker. Develon offers standard warranty up to 2 years.

TOTAL COST OF OWNERSHIP

Even with 2-year warranty, HB-series are offered at reasonable price, providing customer benefits in total cost of ownership.

BUCKETS SETS

Whatever the width, tackle any digging operation with our buckets sets.

Available on 1 to 10 tons Excavators

Each set contains:

- 1 pin-on quick coupler
- 3 digging buckets with teeth
- 1 grading bucket

SIDE CUTTERS & BOTTOM WEAR STRAPS

The digging buckets are equipped with thick and chamfered side cutters, and bottom wear straps covering 90% of the bottom of the bucket.

INCREASED STIFFNESS

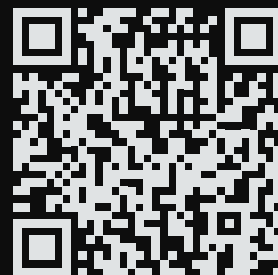
The grading bucket is equipped with one or more web plates to increase the stiffness of the bucket.





Powered by Innovation

DISCOVER MORE:
DX10Z



DEVELON

HD Hyundai Infracore Europe s.r.o.
IBC - Pobřežní 620/3, 186 00 Praha 8-Karlín
Czech Republic

©2023 DEVELON D4600102-EN (08-23)

Certain specification(s) are based on engineering calculations and are not actual measurements. Specification(s) are provided for comparison purposes only and are subject to change without notice. Specification(s) for your individual Develon equipment will vary based on normal variations in design, manufacturing, operating conditions, and other factors. Pictures of Develon units may show other than standard equipment.