

# UNIQUE JAW EXCHANGE SYSTEM

Fast. Easy. Safe.



The patented **DSXpower** cylinder concept provides up to 20% more power and extremely fast cycle times

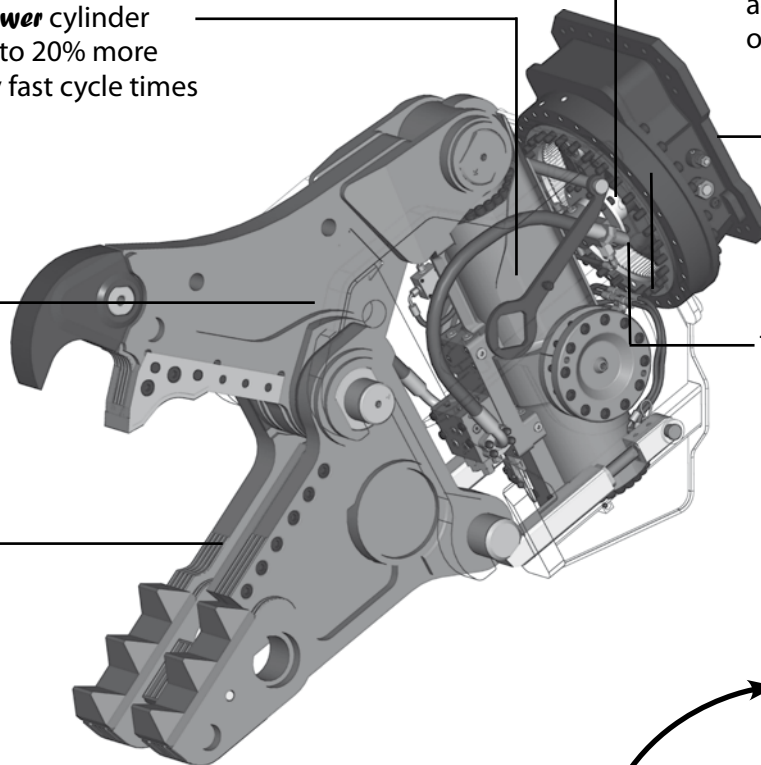
Rotation with additional oil passage

Rotation circuit filters

Guide plate at pivot point for more precise alignment and greater jaw stability

Twin rotation motors

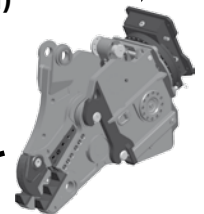
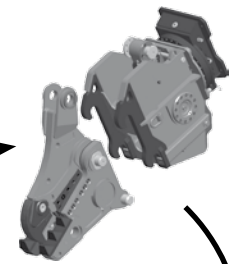
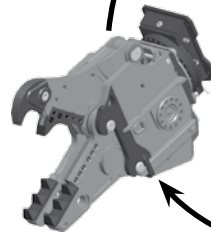
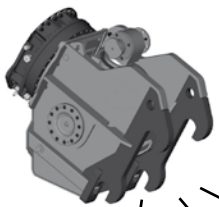
All wear parts are exchangeable on site



**Jaw Options:**

With the incorporated **QMXlink** the jaw set can be exchanged on site in **less than 10 minutes**

**Exchanging Jaws (Combi style shown)**



Combi Jaws

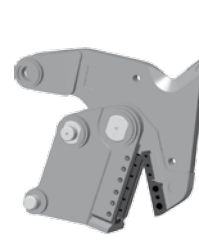
Demolition Jaws

Pulveriser Jaws

Steel Jaws

Tank Jaws

Universal Jaws



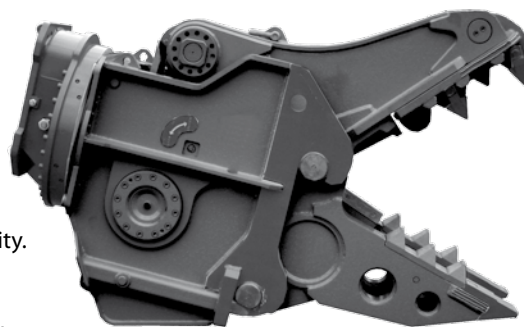
# Multi-Quick Processor

**MQP**

Used for cutting and crushing concrete with steel reinforcement and cutting steel structures, the **KINSHOFER Multi-Quick Processor** with **DSXpower** and **QMXlink** was developed for primary and secondary demolition. It has six convenient jaw options:

**Combi, Demolition, Pulveriser, Steel, Tank and Universal jaws**

- The patented **DSXpower** cylinder provides up to 20% more power and reduces cycle times to under 5 seconds.
- Rotation circuit filters.
- Rotation head with additional oil passage.
- Twin rotation motors for extra rotation power.
- Guide plate at pivot point for more precise alignment and greater jaw stability.
- All teeth and cutting blades are exchangeable.
- Bearing points engineered for optimum load handling and reduced wear.
- With the integrated **QMXlink** the jaw set can be exchanged on site in less than 10 minutes.



**MQP with Pulveriser Jaws**

### Multi-Quick Processors / individual yoke



Type	Operating weight excavator (t)	Weight (kg)	Height (mm)	Width (mm)	Depth (mm)	Cycle times (open / close) (sec)
<b>MQP-25-Y</b>	18 - 25	1130	1095	640	1130	1,5 / 2,3
<b>MQP-30-Y</b>	22 - 35	1400	1205	720	1190	2,0 / 2,3
<b>MQP-45-Y</b>	32 - 50	1740	1330	720	1290	2,0 / 2,9
<b>MQP-60-Y</b>	45 - 65	2350	1450	880	1485	2,0 / 2,8

### Multi-Quick Processors / MQP complete



Type	Operating weight excavator (t)	Weight (complete with yoke) (kg)	Weight (upper & lower jaws) (kg)	Closing force* (kN)	Jaw opening A (mm)	Width lower jaw B (mm)	Width upper jaw C (mm)	Height D (mm)	Jaw depth E (mm)
<b>Combi Jaws:</b>									
<b>MQP-25-C</b>	18 - 25	1960	830	735	785	375	90	1940	810
<b>MQP-30-C</b>	22 - 35	2600	1200	880	875	440	100	2155	920
<b>MQP-45-C</b>	32 - 50	3200	1460	1175	990	450	100	2360	975
<b>MQP-60-C</b>	45 - 65	4600	2250	1370	1150	480	100	2600	1050
<b>Demolition Jaws:</b>									
<b>MQP-25-D</b>	18 - 25	1950	820	785	785	470	90	1980	810
<b>MQP-30-D</b>	22 - 35	2450	1050	930	870	470	100	2160	900
<b>MQP-45-D</b>	32 - 50	3150	1410	1225	990	515	100	2355	960
<b>MQP-60-D</b>	45 - 65	4375	2025	1420	1175	550	100	2600	1090
<b>Pulveriser Jaws:</b>									
<b>MQP-25-P</b>	18 - 25	1990	860	735	790	400	325	1980	810
<b>MQP-30-P</b>	22 - 35	2500	1100	880	880	470	350	2165	830
<b>MQP-45-P</b>	32 - 50	3250	1510	1175	980	515	400	2355	945
<b>MQP-60-P</b>	45 - 65	4650	2200	1370	1150	560	450	2620	1050
<b>Steel Jaws:</b>									
<b>MQP-25-S</b>	18 - 25	1900	770	2695	370	320	100	1750	560
<b>MQP-30-S</b>	22 - 35	2375	975	3040	410	355	120	1910	600
<b>MQP-45-S</b>	32 - 50	3015	1275	3825	465	375	120	2105	700
<b>MQP-60-S</b>	45 - 65	4400	2050	4315	540	410	120	2335	750
<b>Tank Jaws:</b>									
<b>MQP-25-T</b>	18 - 25	2050	900	2650	330	265	100	1910	570
<b>MQP-30-T</b>	22 - 35	2560	1160	3235	335	305	120	2070	575
<b>MQP-45-T</b>	32 - 50	3160	1420	4170	390	305	120	2260	630
<b>MQP-60-T</b>	45 - 65	4325	1975	5930	400	355	150	2415	660
<b>Universal Jaws:</b>									
<b>MQP-30-U</b>	22 - 35	2575	1175	980	590	500	280	2040	790
<b>MQP-45-U</b>	32 - 50	3090	1350	1325	690	525	310	2210	830

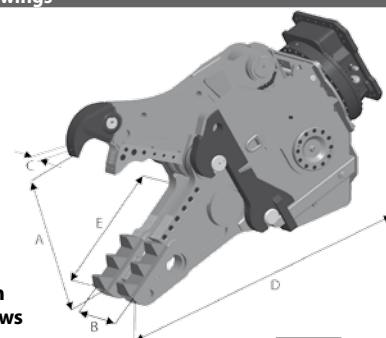
\* closing force for C-, D-, P- and U-jaw measured at front tooth, for S- and T-jaw measured at mid point of inner blade

### Requirements of Excavator

<b>Operating pressure (open/close):</b>	<b>max. 35 MPa (350 bar)</b>
<b>Recommended pump capacity (open/close):</b>	
<b>MQP-25</b>	120 - 200 l/min
<b>MQP-30</b>	150 - 250 l/min
<b>MQP-45</b>	200 - 300 l/min
<b>MQP-60</b>	300 - 400 l/min

<b>Operating pressure (rotation):</b>	<b>max. 14 MPa (140 bar)</b>
<b>Recommended pump capacity (rotation):</b>	40 - 60 l/min

### Technical Drawings



**MQP with Combi Jaws**

