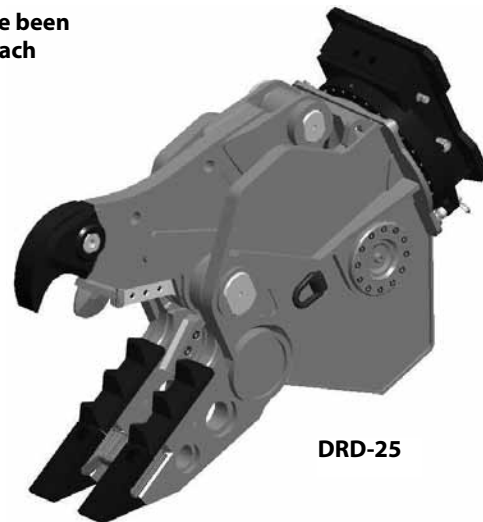


Rotating Combi Crusher/Demolition Crusher/Pulveriser with *DSXpower* DRC / DRD / DRP

The rotating demolition tools of the new Dedicated Demolition Line (DDL) have been developed for primary and secondary demolition. Their jaws are designed to each application area within a demolition job site: Combi Crusher DRC, Demolition Crusher DRD or Pulveriser DRP. The patented *DSXpower* cylinder concept provides up to 20% more power and obviously quicker cycle times.

Advantages:

- Maximized working speed with the *DSXpower* cylinder and robust pin suspension, four chamber technique and speed valve.
- Rotation head with additional oil passage.
- Twin rotation motors for extra rotation power.
- Swing bearing double pivoted.
- Rotation circuit filters.
- Teeth, shrouds and cutting blades exchangeable.
- Excellent speed/ power to weight ratio.
- DRP: exchangeable ground tooth-plate.



DRD-25

Rotating Combi Crusher DRC

Type	Operating weight excavator (t)	Weight (kg)	Jaw opening		Width		Height (mm)	Jaw depth		Length cutting blades (mm)	Closing force * (kN)
			A (mm)	B (mm)	lower jaw B (mm)	upper jaw C (mm)		D (mm)	E (mm)		
DRC-25	18 - 25	1840	785	390	90	1940	800	400	750 / 1100		
DRC-30	22 - 35	2400	875	455	100	2150	900	450	900 / 1400		
DRC-45	32 - 50	2950	980	470	100	2370	990	500	1200 / 1700		

Rotating Demolition Crusher DRD

Type	Operating weight excavator (t)	Weight (kg)	Jaw opening		Width		Height (mm)	Jaw depth		Length cutting blades (mm)	Closing force * (kN)
			A (mm)	B (mm)	lower jaw B (mm)	upper jaw C (mm)		D (mm)	E (mm)		
DRD-25	18 - 25	1850	825	400	90	1980	800	200	800 / 1300		
DRD-30	22 - 35	2400	870	475	100	2155	885	200	950 / 1450		
DRD-45	32 - 50	2950	990	525	100	2360	950	200	1200 / 1800		

Rotating Pulveriser DRP

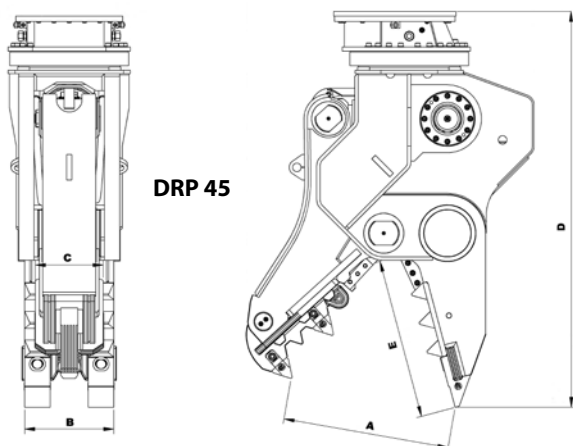
Type	Operating weight excavator (t)	Weight (kg)	Jaw opening		Width		Height (mm)	Jaw depth		Length cutting blades (mm)	Closing force * (kN)
			A (mm)	B (mm)	lower jaw B (mm)	upper jaw C (mm)		D (mm)	E (mm)		
DRP-25	18 - 25	1850	790	400	325	1980	800	200	750 / 1200		
DRP-30	22 - 35	2380	860	475	350	2155	885	200	900 / 1400		
DRP-45	32 - 50	2950	985	525	400	2360	950	200	1200 / 1700		
DRP-60	45 - 65	4000	1150	565	450	2555	1020	250	1400 / 2000		

* Schliesskraft gemessen am Vorderzahn / Splittzahn

Hydraulics

Type	Open/Close		Rotation	
	Pressure max. (bar)	Flow (l/min)	Pressure max. (bar)	Flow (l/min)
DRC-25 / DRD-25 / DRP-25	350	120-200	140	40-60
DRC-30 / DRD-30 / DRP-30	350	150-250	140	40-60
DRC-45 / DRD-45 / DRP-45	350	200-300	140	40-60
DRP-60	350	300-400	140	40-60

Technical Drawings



DRP 45



DRC-25
Combi-Crusher



DRD-25
Demolition Crusher



DRP-25
Pulveriser

